

# VRX-M-TAA

5.8G AV Receiver Module

User Manual



rev: 260511  
Made in Taiwan

## **TABLE OF CONTENTS**

INTRODUCTION.....	1
PACKAGE CONTENTS .....	1
SPECIFICATION.....	1
PIN DESCRIPTION.....	2
DIMENSION.....	3
WARRANTY .....	4

## INTRODUCTION

5.8GHz FM demodulation receiver

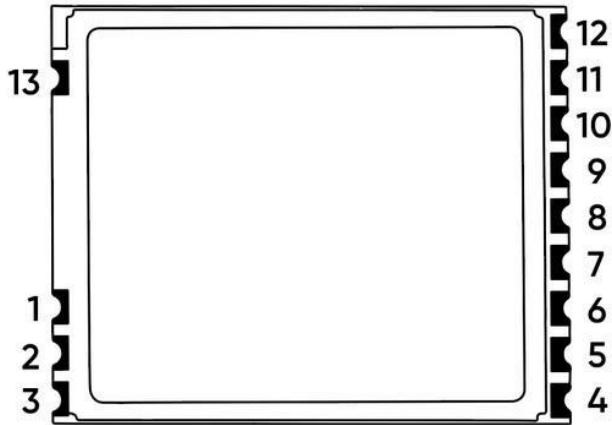
## PACKAGE CONTENTS

- 1x VRX-M-TAA

## SPECIFICATION

	Modulate	Wideband FM Modulate			
	Video Format	NTSC/PAL			
	Characteristics	Value			Units
		Min.	Typ.	Max.	
1	RF input Impedance	--	50	--	Ohm
2	Receive Sensitivity	-88	-90	--	dBm
3	Receive Frequency Range	5705	--	5945	MHz
4	Operating Voltage	3.5	5.0	5.5	V
5	Supply Current	--	170	180	mA
6	Operating Temperature	-10	--	+85	°C
7	Video Band Width	0	--	8.0	MHz
8	Audio Carrier Frequency	--	6.5	--	MHz
9	Video Output Level	0.9	1.0	1.1	Vp-p
10	Video Output Impedance	--	75	--	Ohm
11	Audio Output Level	0.5	--	2.0	Vp-p
12	Audio Output Impedance	--	10K	--	Ohm
13	Weight	--	10	--	g
14	Dimensions(L x W x H))	28 x 23 x 3 mm			

# PIN DESCRIPTION

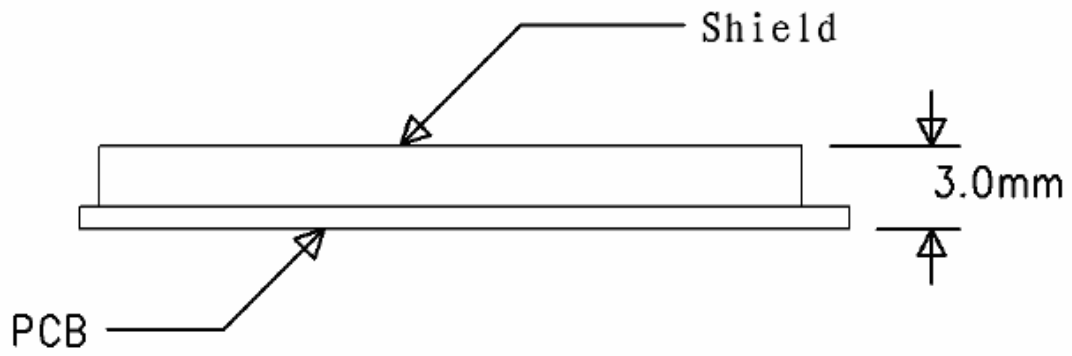
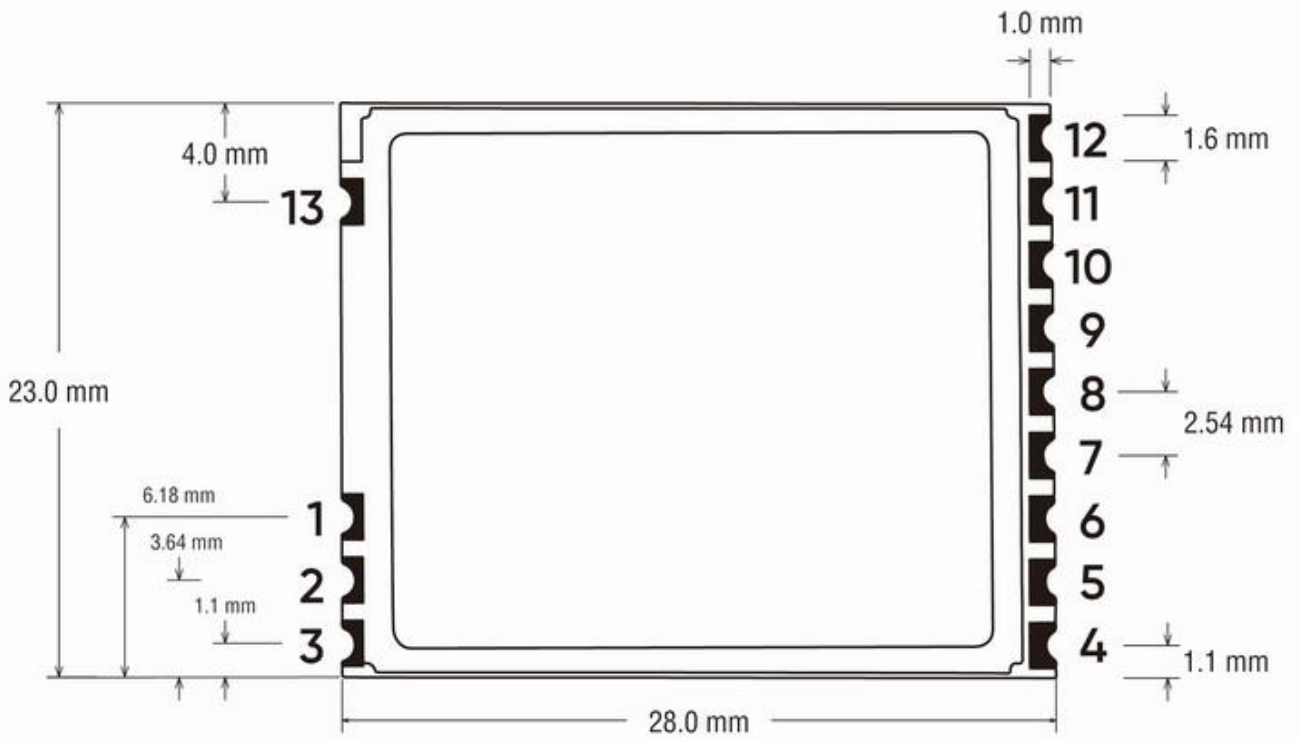


Pin	Name	I/O	Function
1	GND	I	Antenna ground
2	ANT	I	Antenna input: 50 Ohm
3	GND	I	Antenna ground
4	CS0(SPI_DATA)	I	Channel 3 select
5	CS1(SPI_LE)	I	Channel 3 select
6	CS2(SPI_CLK)	I	Channel 3 select
7	GND	I	Power ground
8	+5V	I	5V power DC in
9	RSSI	O	RSSI output voltage
10	A6.5M	O	Audio output
11	VIDEO	O	Video output
12	GND	I	Power ground
13	SPI_SE	I	SPI selection

- pin13: SPI\_SE: internal pull high  
BX: internal pull high
- This product series includes two models with different audio capabilities:  
**VRX-M-TAA**: Standard model with audio output support  
**VRX-M-NA-TAA**: Model without audio output support

5GHz Band	SPI_SE	Band	BX	S	CS[2:0]							
					000	001	010	011	100	101	110	111
	0	E	1	X	5705M	5685M	5665M	5645M	5885M	5905M	5925M	5945M
	1	SPI	X	X	Three wire SPI control pins							

# DIMENSION



## WARRANTY

The SELLER warrants the **VRX-M-TAA 5.8G AV Receiver Module** to be free from defects in the material and workmanship for 1 year from the date of purchase from the SELLER or an authorized dealer. Should this product fail to be in good working order within 1 year warranty period, The SELLER, at its option, repair or replace the unit, provided that the unit has not been subjected to accident, disaster, abuse or any unauthorized modifications including static discharge and power surges.

Unit that fails under conditions other than those covered will be repaired at the current price of parts and labor in effect at the time of repair. Such repairs are warranted for 90 days from the day of reshipment to the BUYER. If the unit is delivered by mail, customers agree to insure the unit or assume the risk of loss or damage in transit. Under no circumstances will a unit be accepted without a return authorization number.

The warranty is in lieu of all other warranties expressed or implied, including without limitations, any other implied warranty or fitness or merchantability for any particular purpose, all of which are expressly disclaimed.

Proof of sale may be required in order to claim warranty. Customers outside Taiwan are responsible for shipping charges to and from the SELLER. Cables are limited to a 30 day warranty and cable must be free from any markings, scratches, and neatly coiled.

The content of this manual has been carefully checked and is believed to be accurate. However, The SELLER assumes no responsibility for any inaccuracies that may be contained in this manual. The SELLER will NOT be liable for direct, indirect, incidental, special, or consequential damages resulting from any defect or omission in this manual, even if advised of the possibility of such damages. **Also, the technical information contained herein regarding the VRX-M-TAA features and specifications is subject to change without further notice.**