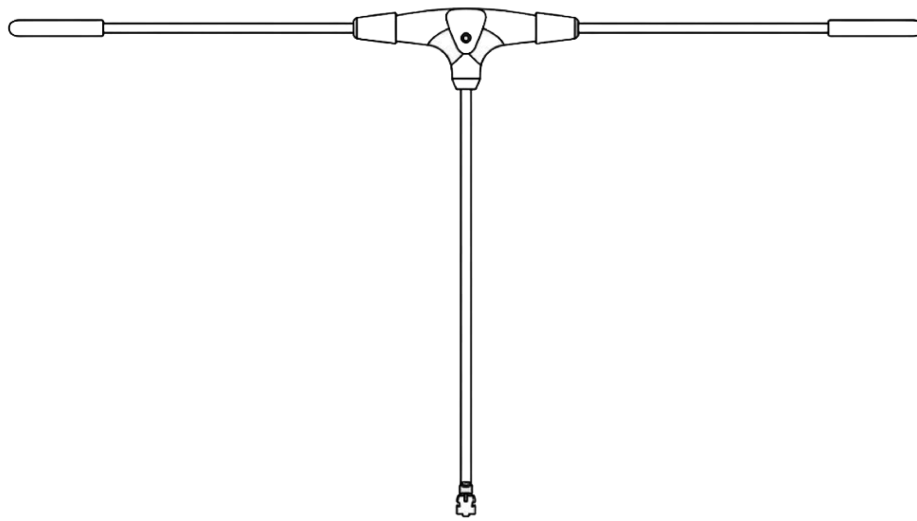


T-Type Antenna

T-Type Antenna Assembly

User Manual



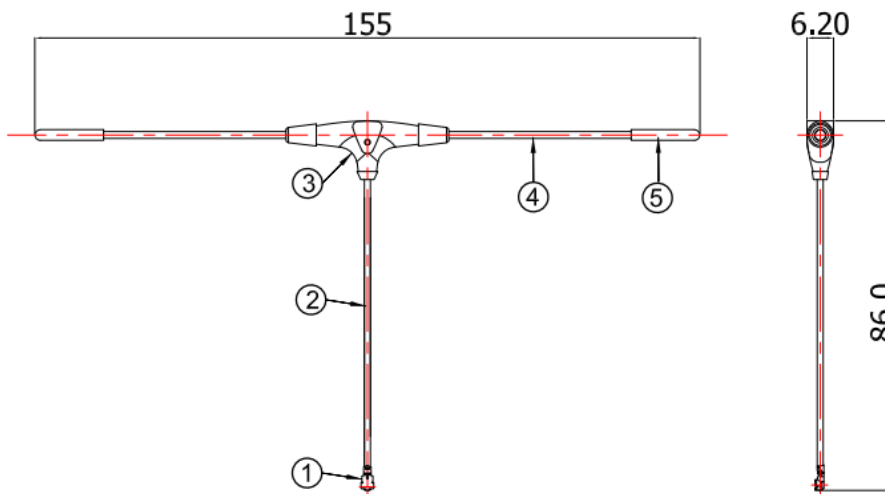
rev: 260309
Made in Taiwan

FEATURES

- Frequency Range: 0.868~0.915 GHz
- Impedance: 50 Ω Nominal
- VSWR: 2.0:1 MAX.
- Return Loss: 9.54dB Min.
- Peak Gain: 3 dBi
- Radiation: Omni-directional
- Polarization: Vertical
- Cable: 1.37mm Cable
- Connector: IPEX MHF Connector

PRODUCT DRAWING

DATE	DESCRIPTION	REX	UNIT
07/19 - 2024	New Issue	X1	mm



XXX.	±5.0
XX.	±3.0
X.	±1.0
.X	±0.5
.XX	±0.2

NO.	DESCRIPTION		QTY	REMARK
①	IPEX	20351-112R-37	1	Gold
②	RF Cable	ϕ 1.37	1	Black
③	SR	PVC	1	Black
④	Heat shrink tube	ϕ 2.0	2	Black
⑤	Case	PVC	2	Black

TEST REPORT

Spec: 0.868~0.915 GHz

VSWR: 2.0

