

FC-001

F7 Flight Controller

User Manual



rev: 260325
Made in Taiwan

TABLE OF CONTENTS

INTRODUCTION.....	3
FEATURES.....	3
PACKAGE CONTENTS	3
PIN DESCRIPTION.....	4
WARRANTY	6

INTRODUCTION

The **FC-001 F7 flight controller** features a standard 40mm layout and is powered by a high-performance STM32 F722 processor and ICM42688 gyroscope. It supports four motor outputs and includes reserved sockets for 4-in-1 ESCs. Designed with user-friendly port connectors, it greatly simplifies device connections—improving installation efficiency while making maintenance and troubleshooting much easier. This smart layout helps lower the barrier to entry for building and customizing drones.

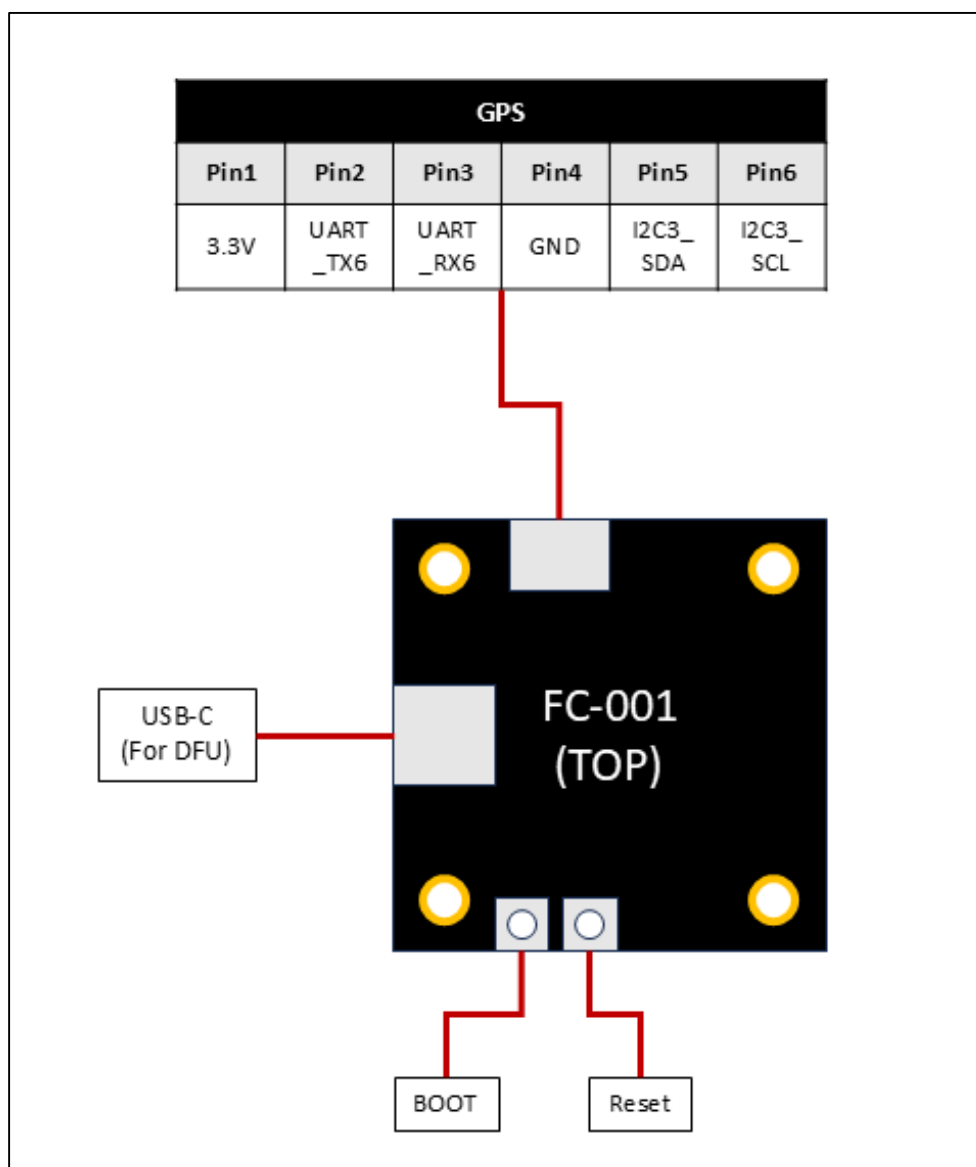
FEATURES

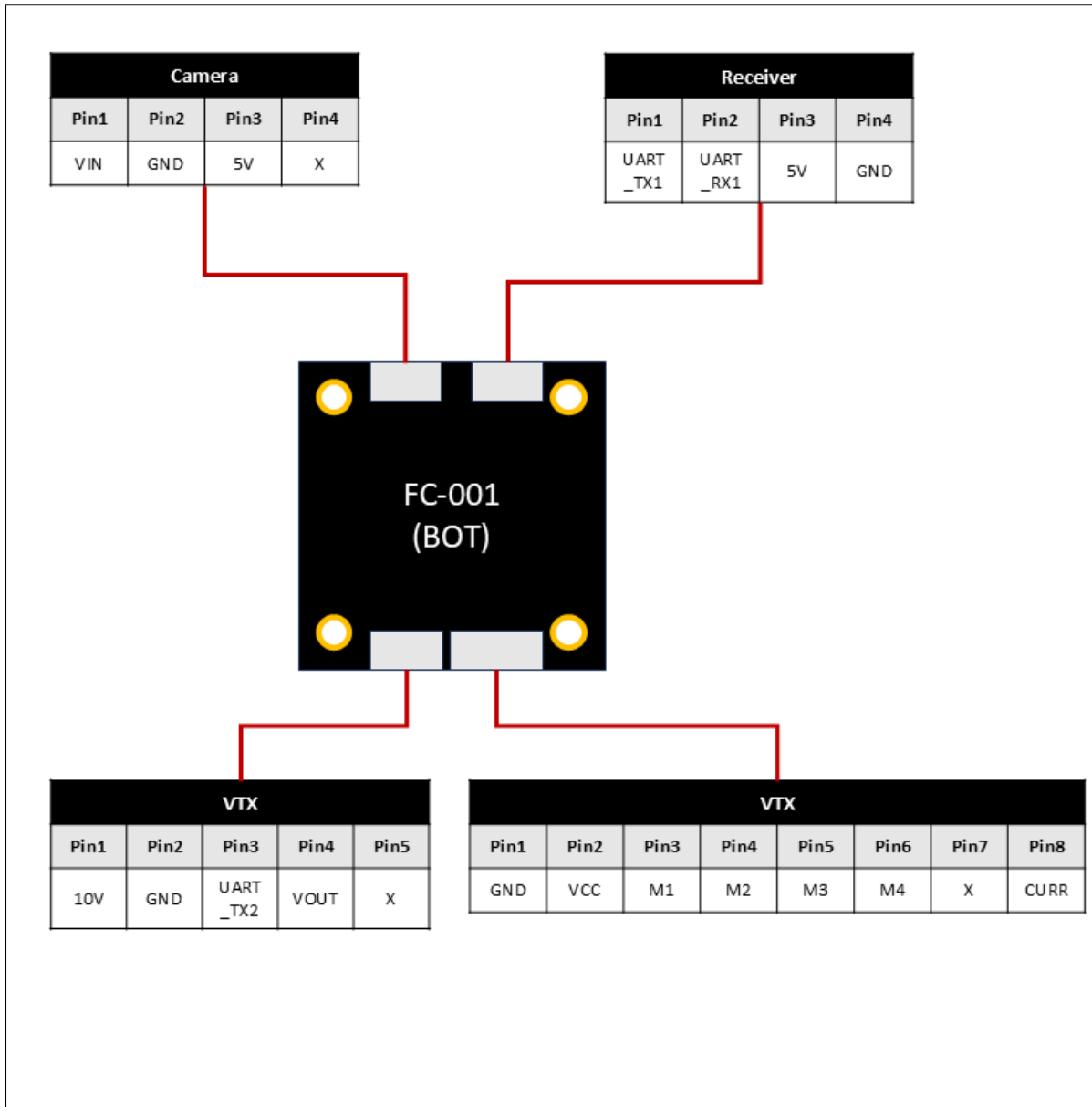
- High-performance and DSP with FPU, ARM Cortex-M7 MCU with 512Kbytes Flash
- High-performance and low-noise IMU ICM42688P with a 3-axis accelerometer and a 3-axis gyroscope
- Barometer DPS368
- OSD AT7456E
- The 16M byte SPI flash on board for data logging
- VBAT/CURR/RSSI sensors input
- USB VCP and boot select button on board (for DFU)
- Built in ESC connector, clean and easy to connect 4-in-1 ESC
- Built in VTX connector, clean and easy to connect VTX have telemetry
- Supports Betaflight
- Battery input voltage: 3S - 8S
- Dimensions: 40x40mm
- Standard 30.5mm square to the center of holes
- Weight: 8g

PACKAGE CONTENTS

- 1x FC-001

PIN DESCRIPTION





WARRANTY

The SELLER warrants the **FC-001 F7 flight controller** to be free from defects in the material and workmanship for 1 year from the date of purchase from the SELLER or an authorized dealer. Should this product fail to be in good working order within 1 year warranty period, The SELLER, at its option, repair or replace the unit, provided that the unit has not been subjected to accident, disaster, abuse or any unauthorized modifications including static discharge and power surges.

Unit that fails under conditions other than those covered will be repaired at the current price of parts and labor in effect at the time of repair. Such repairs are warranted for 90 days from the day of reshipment to the BUYER. If the unit is delivered by mail, customers agree to insure the unit or assume the risk of loss or damage in transit. Under no circumstances will a unit be accepted without a return authorization number.

The warranty is in lieu of all other warranties expressed or implied, including without limitations, any other implied warranty or fitness or merchantability for any particular purpose, all of which are expressly disclaimed.

Proof of sale may be required in order to claim warranty. Customers outside Taiwan are responsible for shipping charges to and from the SELLER. Cables are limited to a 30 day warranty and cable must be free from any markings, scratches, and neatly coiled.

The content of this manual has been carefully checked and is believed to be accurate. However, The SELLER assumes no responsibility for any inaccuracies that may be contained in this manual. The SELLER will NOT be liable for direct, indirect, incidental, special, or consequential damages resulting from any defect or omission in this manual, even if advised of the possibility of such damages. **Also, the technical information contained herein regarding the FC-001 features and specifications is subject to change without further notice.**