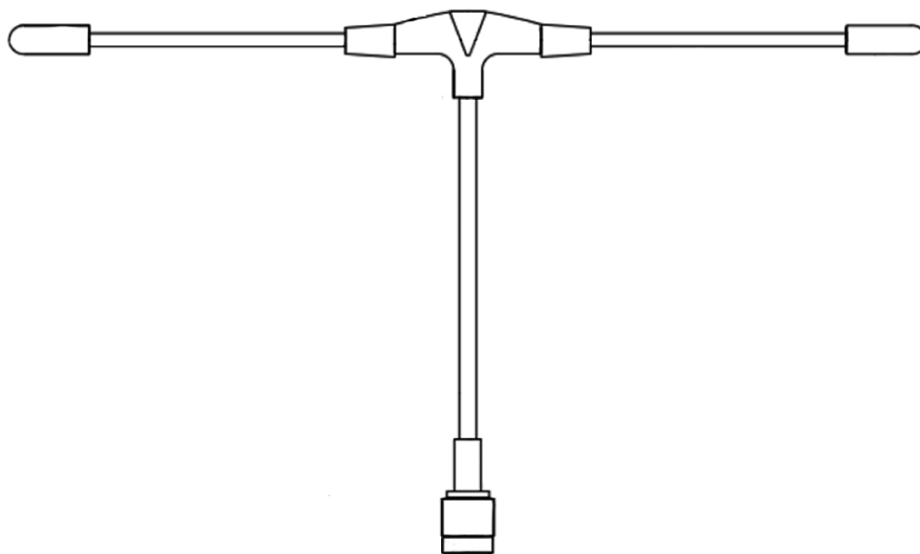


915MHz T-Type Antenna

915MHz T-Type Antenna Assembly

User Manual



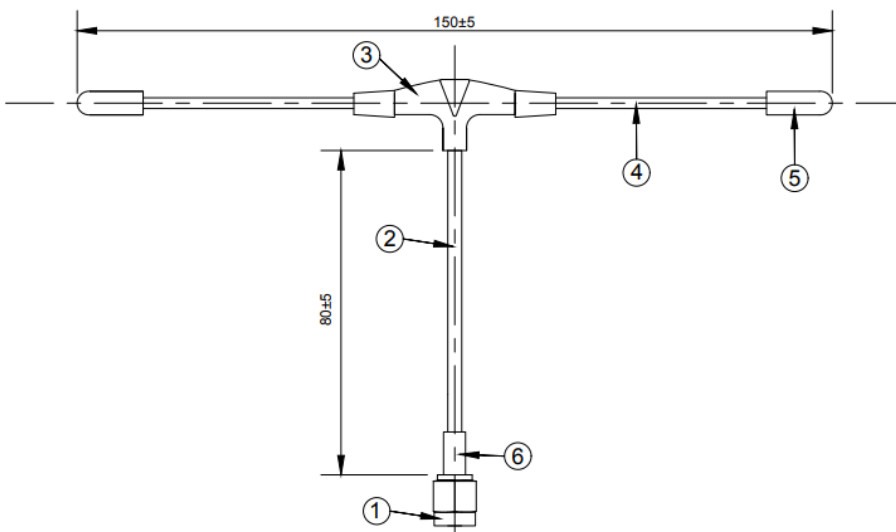
rev: 260309
Made in Taiwan

FEATURES

- Frequency Range: 915±5 MHz
- Impedance: 50Ω Nominal
- VSWR: 2.0:1 MAX.
- Return Loss: 9.54dB Min.
- Peak Gain: 2 dBi
- Radiation: Omni-directional
- Max power: 10W
- Polarization: Vertical
- Cable: RG-405 Cable
- Connector: SMA Plug Standard Connector

PRODUCT DRAWING

DATE	DESCRIPTION	REX	UNIT
09/20 - 2024	New Issue	X1	mm



XXX.	±5.0
XX.	±3.0
X.	±1.0
.X	±0.5
.XX	±0.2

NO.	DESCRIPTION		QTY	REMARK
①	SMA	Plug, Standard	1	Gold
②	RF Cable	RG-405	1	Black
③	SR	PVC	1	Black
④	Heat shrink tube	Heat shrink tube	2	Black
⑤	Case	PVC	2	Black
⑥	Heat shrink tube	Heat shrink tube	1	Black

TEST REPORT

Spec : 915±5 MHz

VSWR : 2.0

